



Insulated Structures

Efficiency At Work

SQUARE GLASS CAKE



Standard Specifications	
• 2 x LED Lit Glass Shelves	• Valve (Brass Thermostatic)
• Sliding Drawer	• Powder Coated Cladding
• Bottom Pans	• 2 x Probes (Air Off and Defrost)
• Linear Bars	• Shaded Pole Fans
• Rear Sliders	• Standard Coil

Available in Remote and Self-Contained

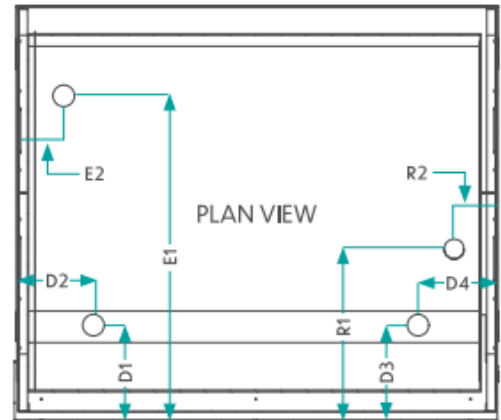
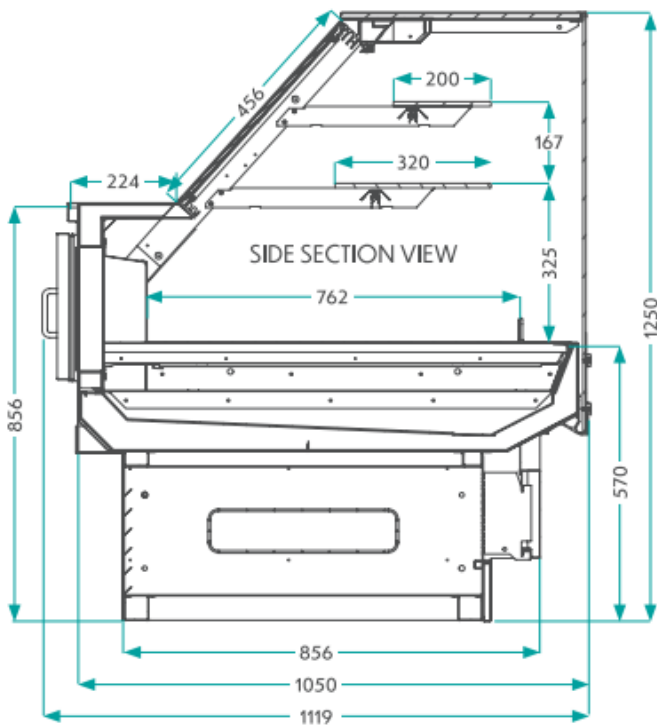
Leaders in world class innovation for bespoke end to end energy efficient refrigeration solutions



Insulated Structures

Efficiency At Work

SQUARE GLASS CAKE



Physical Properties		
Size	Length (m)	TDA (m ²)
4ft	1.220	1.18
6ft	1.830	1.80
8ft	2.440	2.41
12ft	3.660	3.64

Drain and Refrigeration Points							
D1	D2	D3	D4	E1	E2	R1	R2
230mm	609mm	-	-	800mm	110mm	400mm	110mm
230mm	914mm	-	-	800mm	110mm	400mm	110mm
230mm	609mm	230mm	609mm	800mm	110mm	400mm	110mm
230mm	600mm	230mm	609mm	800mm	110mm	400mm	110mm

Refrigeration Requirements	
Refrigeration	Evaporation Temp
94W/ft	-5 °C

Electrical Specifications		
Evaporator Fans	Lighting	Lighting
Fan Motor + Motor	Case (LED)	Shelf (LED)
2xØ154-28°/36W (SPM) or 24W (ECM)	1 x 16W	2 x 16W
2xØ154-28°/36W (SPM) or 24W (ECM)	1 x 25W	2 x 25W
2xØ154-28°/36W (SPM) or 24W (ECM)	2 x 16W	4 x 16W
2xØ154-28°/36W (SPM) or 24W (ECM)	3 x 16W	6 x 16W

Leaders in world class innovation for bespoke end to end energy efficient refrigeration solutions

